

# Keltic Series

## 7080/7180 SERIES HD (HINGED DOOR)

### - Installation Instructions

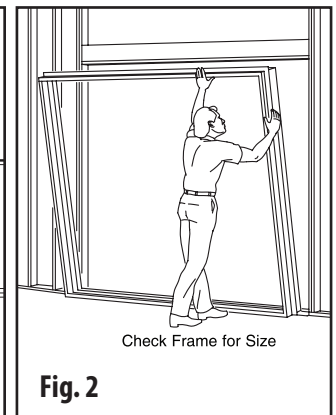
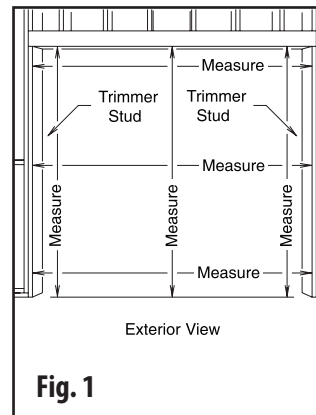


#### Installation Requires Knowledge of:

- AAMA Installation Instructions.
- Applicable Federal, State, Local Codes and Regulations.
- An Understanding of the Fundamentals of Residential Construction.
- A Working Knowledge of the Tools, Equipment and Methods Required for Installation.
- A Familiarity with Caulking, Sealing Procedures and Glass Handling Procedures.

#### Tools Required

- Hammer
- Power drill
- .196 Dia. drill bit
- Utility knife
- Putty knife
- Caulking
- Measuring tape
- Countersink
- Carpenter's square
- Phillips head screwdriver
- Level (6' recommended)
- Shim material
- Caulking (One that's gun appropriate for your job)
- Hack saw



Before you start: Read instructions thoroughly and double check the parts lists to make sure all necessary parts are present.

Flashing and/or an appropriate method of sealing shall be designed as a part of an overall weather resistive barrier system. It is not the responsibility of the door manufacturer to design or recommend a flashing system appropriate to each job condition. Responsibility for protecting any flashing material from damage caused by weather, other trades or vandalism and properly integrating the flashing system into the weather resistive barrier for the entire building will be the responsibility of the general contractor or his designated agent.

#### 1. Measuring Openings

Check your opening for plumb and squareness. Check floor for flatness. Correct any problems with the rough opening or floor flatness before proceeding with the installation.

Measure rough opening vertically and horizontally at the corners and center. See **Fig. 1**. The opening should be 1/2" larger than the actual door height and width. With new construction, trimmer studs on each side of the opening should remain loose until the door frame is installed.

#### 2. Preparing the Sill

Check the rough opening for plumb, level and square. Ensure that the sill

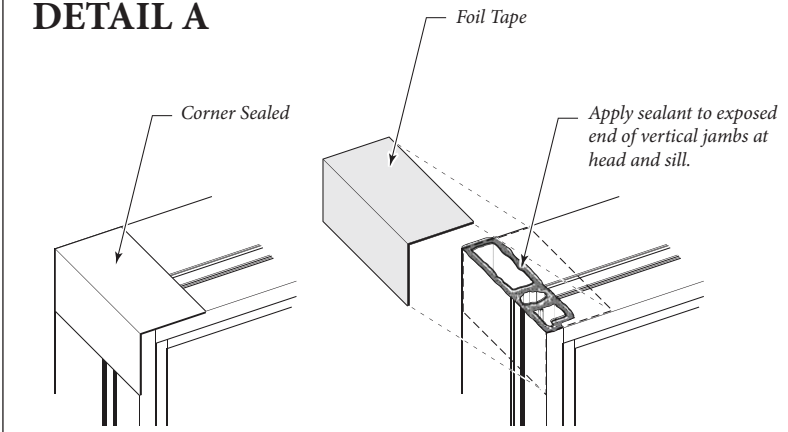
condition provides a continuous, solid and level support along the entire length of the opening. Surface should be free of voids, holes, chipping or other conditions that might prevent sealant from maintaining continuous contact with the door. Dry fit the door frame to make sure the frame will fit into the rough opening, see **Fig. 2**.

#### For Concrete Floor Installation Only

If your rough opening should have a concrete or masonry floor, it would be necessary to dry fit the door frame. This is done to accurately align the installation screws in the sill with the masonry screw anchors that will be installed in the concrete floor. No sealant or fasteners are used at this point, but the frame should be checked for level, square and plumb. Use shims at the sill, jambs and head to get an accurate placement of the frame in the rough opening. If installation holes have not been pre drilled in the sill, determine the number and location of the fasteners to be used on the sill. The sill needs a minimum of 4 fasteners, based on a maximum of 16" apart, on center. One fastener will be installed about 4" from each jamb corners. Installation holes should have a .196 diameter, big enough for a #10 screw. Once the frame has been evenly spaced in the opening, MARK the installation hole locations through the sill and onto the concrete floor. Remove the frame from the opening. Install masonry screw anchors into the concrete floor for all sill fasteners. Use 1" long metal anchors inserts or concrete anchor screws, 1 1/2" or longer.

Check that top and bottom of jambs are sealed as shown in **DETAIL A**, reseal as needed. Sealants must be compatible with perimeter seal. See **DETAIL B**.

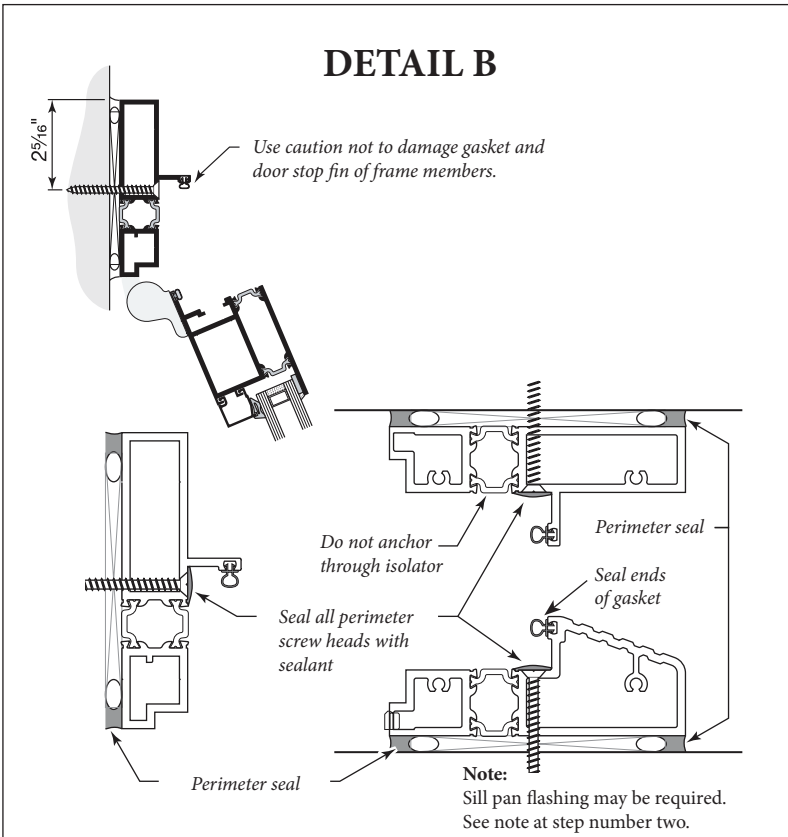
## DETAIL A



**ANCHORING NOTE:** Fasteners, substrate, and any surrounding system components that are to structurally support loads imposed on this product must be adequate in strength and workability.

1. Install frame plumb and square. Shim as required. Shims are to be located at each fastener and under hinge jambs.
2. Anchor with #10 F.H. screws 18" O.C. length to be specified on approved shop drawings.
3. Seal over heads of each anchor screw and tool sealant smooth.
4. Apply perimeter seals continuously to the full perimeter of interior and exterior of door frame. Sealant must be compatible with perimeter sealant of any adjacent framing system. Refer to approved shop drawing for any job specific sealant requirements. Follow sealant manufacturer's guidelines for cleaning, surface preparation, and application.

## DETAIL B



- Wood trim, plant-ons, and pot shelves all require special precautions. When necessary under these conditions use metal flashing. Use metal flashing on any surfaces where water may not drain promptly.
- Seal all holes in the building paper including those caused by staples or nails.
- Interfaces between our products, flashing and the building's weather resistive barrier must be sealed with a sealant recommended for this application. We cannot recommend a particular type or manufacturer of sealant.
- Muller windows require special treatment. Please consult instructions for your muller conditions.
- Holes drilled for alarms may not be placed on sills or heads and must be sealed.
- Extreme weather conditions may cause water intrusion into your home and subsequent water damage. Consult a licensed engineer for an appropriate rating for expected local weather conditions.
- Do not apply film or tints to the surface of the glass. These products can cause insulated unit failure.
- To avoid the effects of electrolysis and chemical reaction to an aluminum sill, apply bituminous paint to raw masonry or concrete. You may also use a PVC liner to separate the metal frame from the substrate.

### SEMI-ANNUAL MAINTENANCE

- Improperly maintained products will reduced the performance of any window or door. The sills and weeps must be cleaned regularly to allow for drainage. Water in the sill during a rainstorm is normal.
- Weatherstrip should be cleaned and fluffed on a regular basis. Wearing of the wool pile is normal. Wool pile should be replaced if gaps between the weatherstrip and frame appear.
- Harsh abrasive cleaners should never be used on frames or glass surface.
- If products are within 10 miles of the coast, metal surfaces should be cleaned with a fresh water rinse every one to three months. Car wax on the surface will provide some protection. Anodized or painted surfaces will help prolong the life and enhance appearance. Clean and lubricate hardware components with corrosion resistant spray or lubricant monthly to ensure proper performance. Silicone lubricant spray can be used on all operable components.

**PLEASE KEEP THESE INSTRUCTIONS IN YOUR HOME OWNER'S PACKET.**

I have read the above instructions and understand the manufacturer's recommendations.

(Installer's signature)



**P: 209.323.6850**

Visit our website at  
**www.ydwindowinc.com**