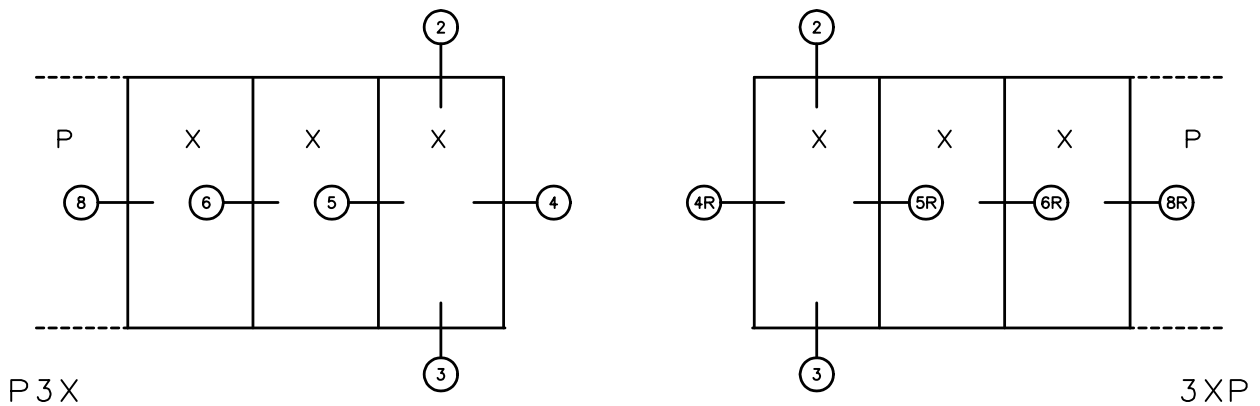


# KELTIC 7800

## Pocket Door System

---

### SINGLE POCKET DOORS



**General Notes:**

Not to Scale

Due to continual product development, detail and technical data are subject to change without notice

For latest product specifications please go to our website: [www.intlwindow.com](http://www.intlwindow.com) or contact your IWC Representative

This is an architectural view of cross sections only and installation of shims, fasteners and sealant shall be the responsibility of the installer

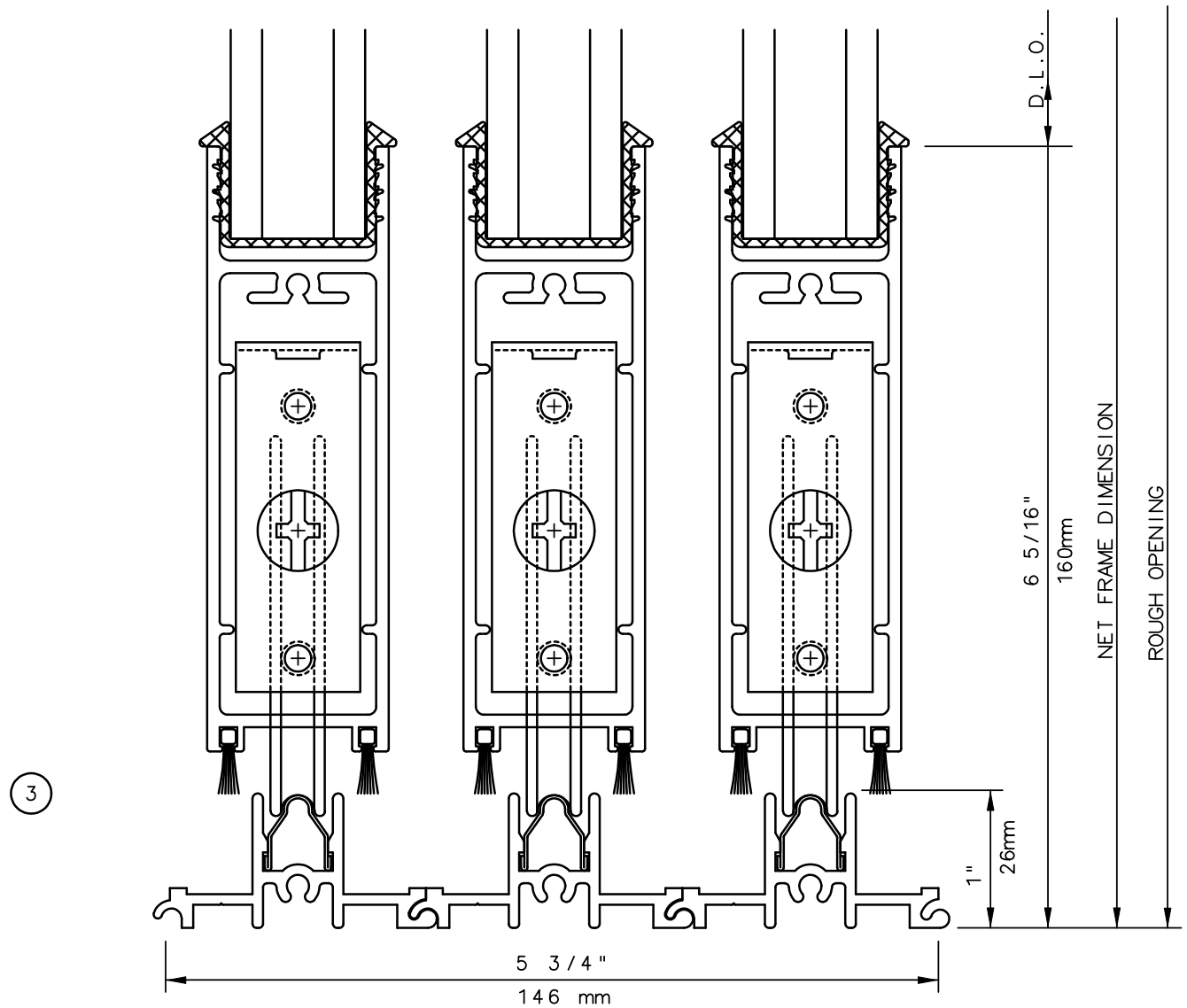


IWC - SOUTHERN CA | IWC - NORTHERN CA  
KELTIC 7800 | [WWW.INTLWINDOW.COM](http://WWW.INTLWINDOW.COM)

Rev. 0512 Form: Pocket elev PXXX.pdf  
IWC Architectural Design Detail

# KELTIC 7800

## Pocket Door System



**General Notes:**

Not to Scale

Due to continual product development, detail and technical data are subject to change without notice

For latest product specifications please go to our website: [www.intlwindow.com](http://www.intlwindow.com) or contact your IWC Representative

This is an architectural view of cross sections only and installation of shims, fasteners and sealant shall be the responsibility of the installer

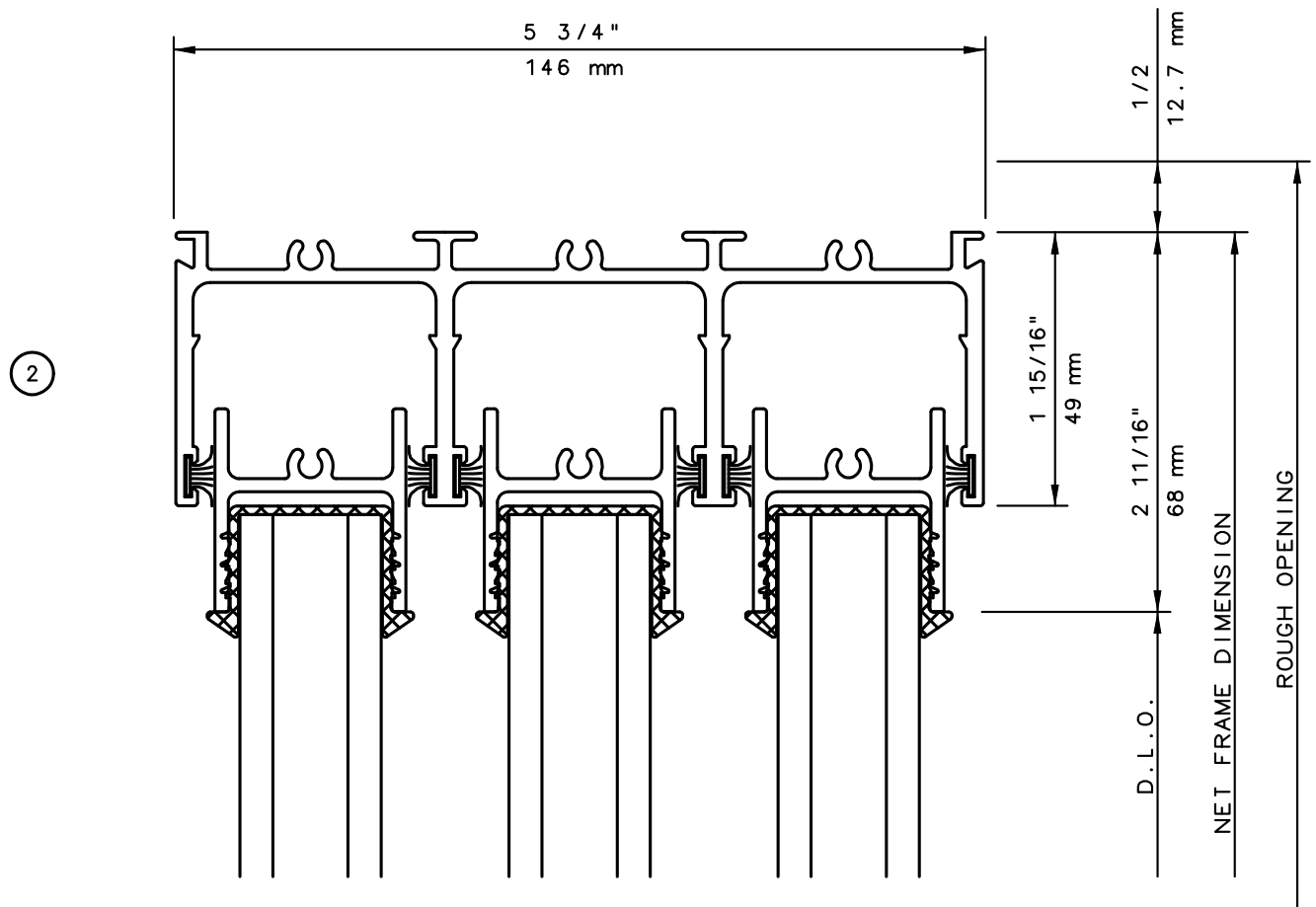


IWC - SOUTHERN CA | IWC - NORTHERN CA  
 KELTIC 7800 | [WWW.INTLWINDOW.COM](http://WWW.INTLWINDOW.COM)

Rev. 0512 Form: 78P3X\_1\_sl\_sl.pdf  
 IWC Architectural Design Detail

# KELTIC 7800

## Pocket Door System



**General Notes:**

Not to Scale

Due to continual product development, detail and technical data are subject to change without notice

For latest product specifications please go to our website: [www.intlwindow.com](http://www.intlwindow.com) or contact your IWC Representative

This is an architectural view of cross sections only and installation of shims, fasteners and sealant shall be the responsibility of the installer



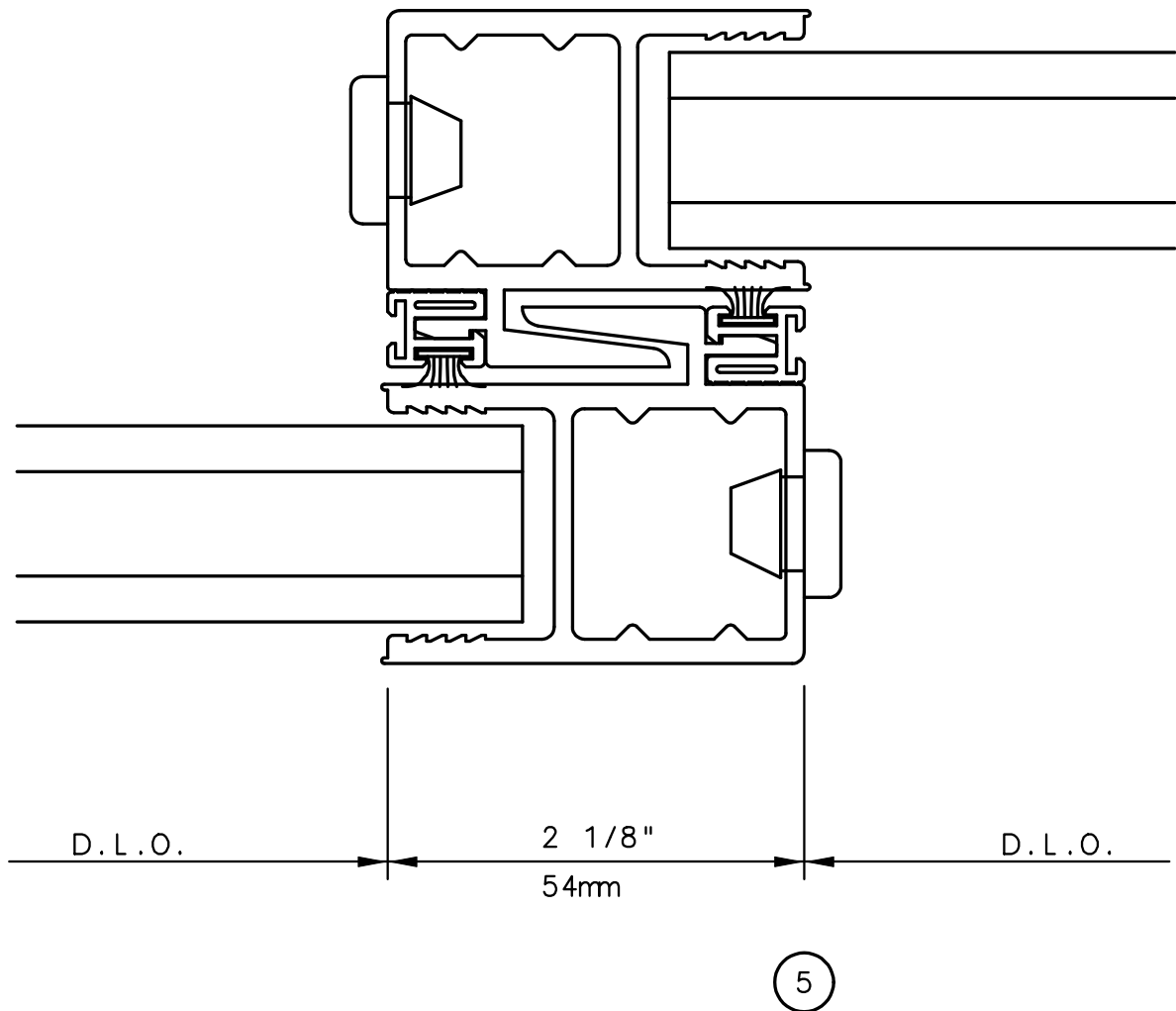
IWC - SOUTHERN CA | IWC - NORTHERN CA  
KELTIC 7800 | [WWW.INTLWINDOW.COM](http://WWW.INTLWINDOW.COM)

Rev. 0512 Form: 78P3X\_head.pdf  
IWC Architectural Design Detail

# KELTIC 7800

## Pocket Door System

---



### General Notes:

Not to Scale

Due to continual product development, detail and technical data are subject to change without notice

For latest product specifications please go to our website: [www.intlwindow.com](http://www.intlwindow.com) or contact your IWC Representative

This is an architectural view of cross sections only and installation of shims, fasteners and sealant shall be the responsibility of the installer



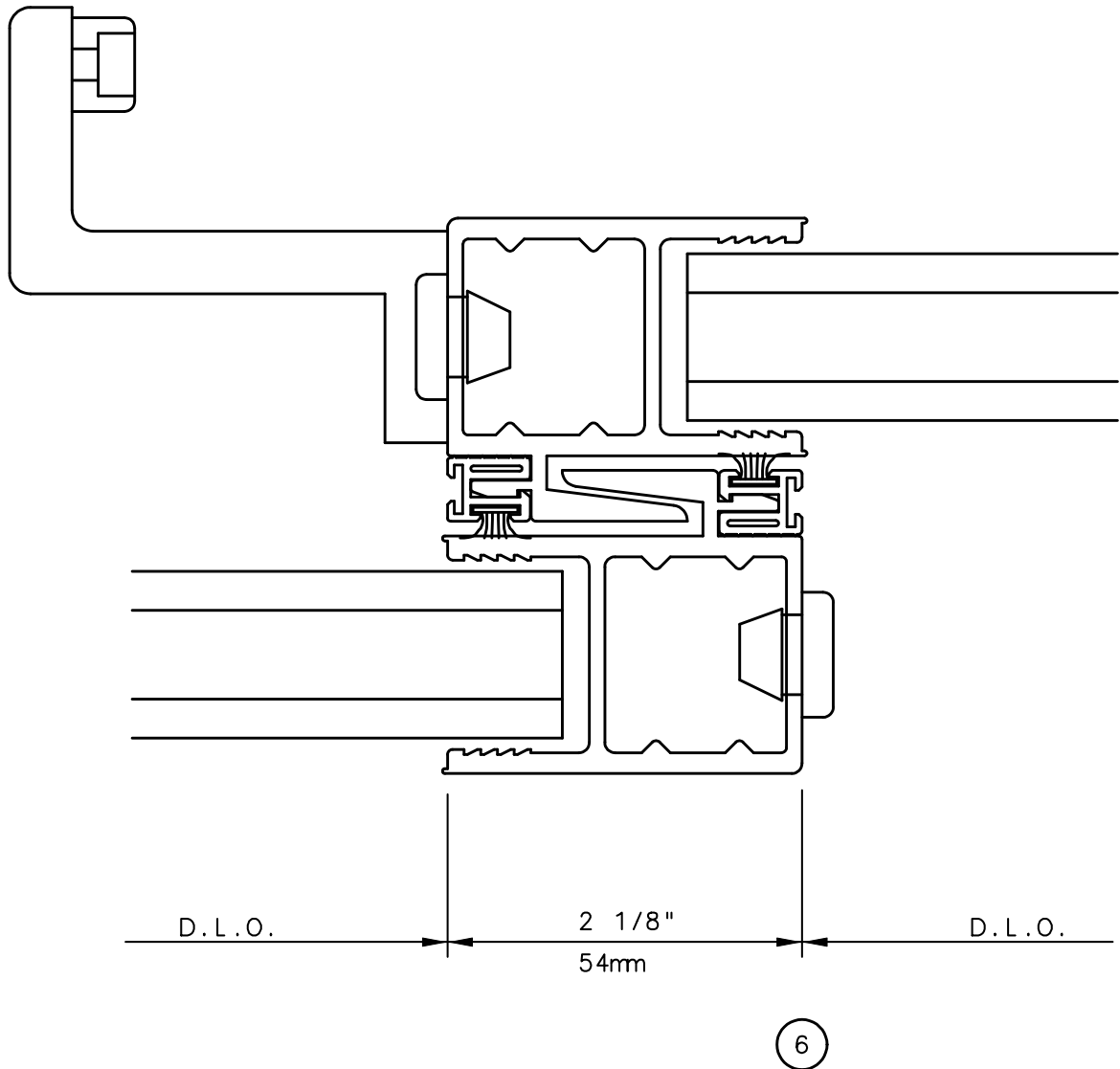
IWC - SOUTHERN CA | IWC - NORTHERN CA  
KELTIC 7800 | [WWW.INTLWINDOW.COM](http://WWW.INTLWINDOW.COM)

Rev. 0512 Form: 78P3X\_intrlk.pdf  
IWC Architectural Design Detail

# KELTIC 7800

## Pocket Door System

---



**General Notes:**

Not to Scale

Due to continual product development, detail and technical data are subject to change without notice

For latest product specifications please go to our website: [www.intlwindow.com](http://www.intlwindow.com) or contact your IWC Representative

This is an architectural view of cross sections only and installation of shims, fasteners and sealant shall be the responsibility of the installer

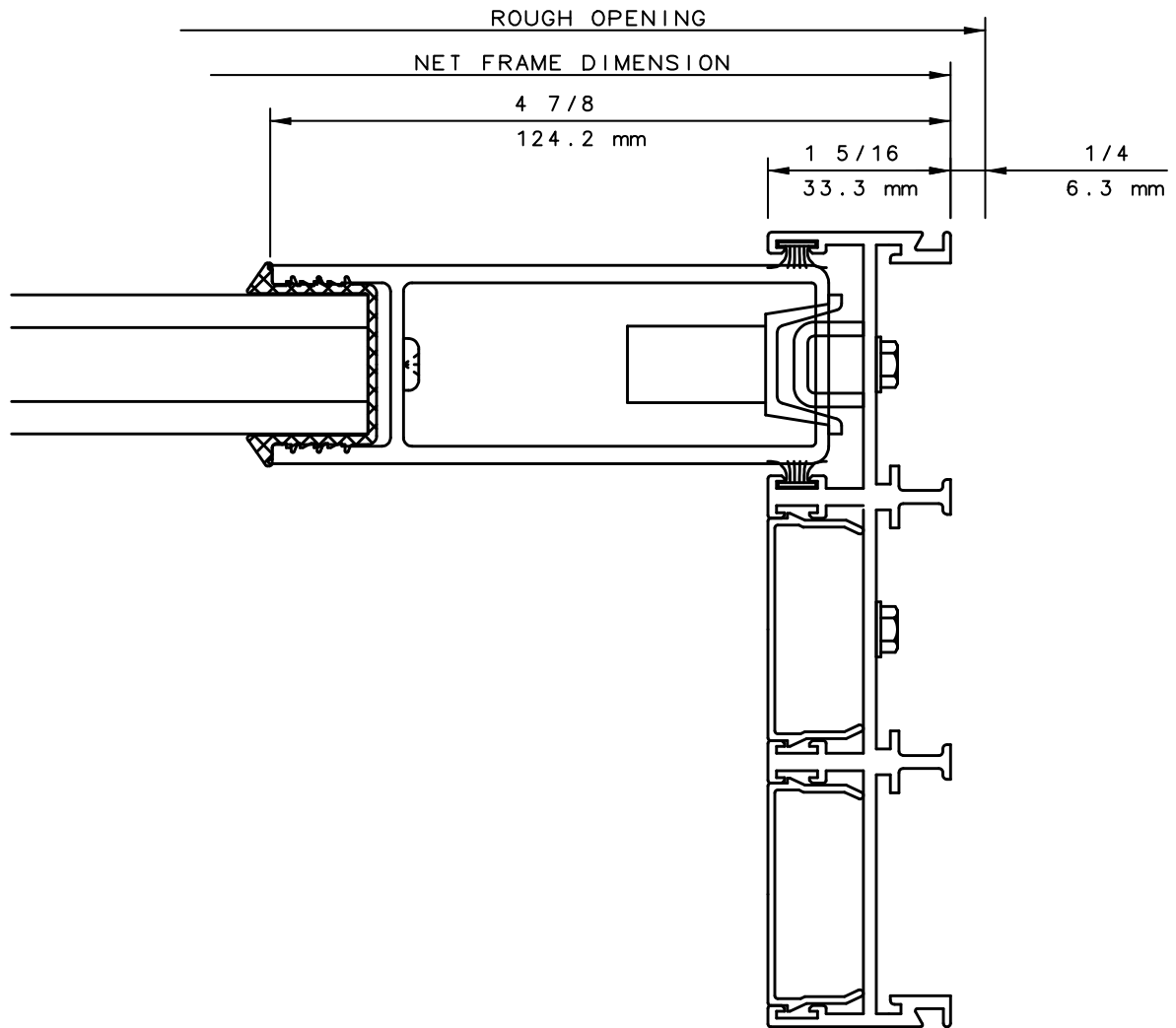


IWC - SOUTHERN CA | IWC - NORTHERN CA  
KELTIC 7800 | [WWW.INTLWINDOW.COM](http://WWW.INTLWINDOW.COM)

Rev. 0512 Form: 78P3X\_Id\_intrlk.pdf  
IWC Architectural Design Detail

# KELTIC 7800

## Pocket Door System



4

### General Notes:

Not to Scale

Due to continual product development, detail and technical data are subject to change without notice

For latest product specifications please go to our website: [www.intlwindow.com](http://www.intlwindow.com) or contact your IWC Representative

This is an architectural view of cross sections only and installation of shims, fasteners and sealant shall be the responsibility of the installer

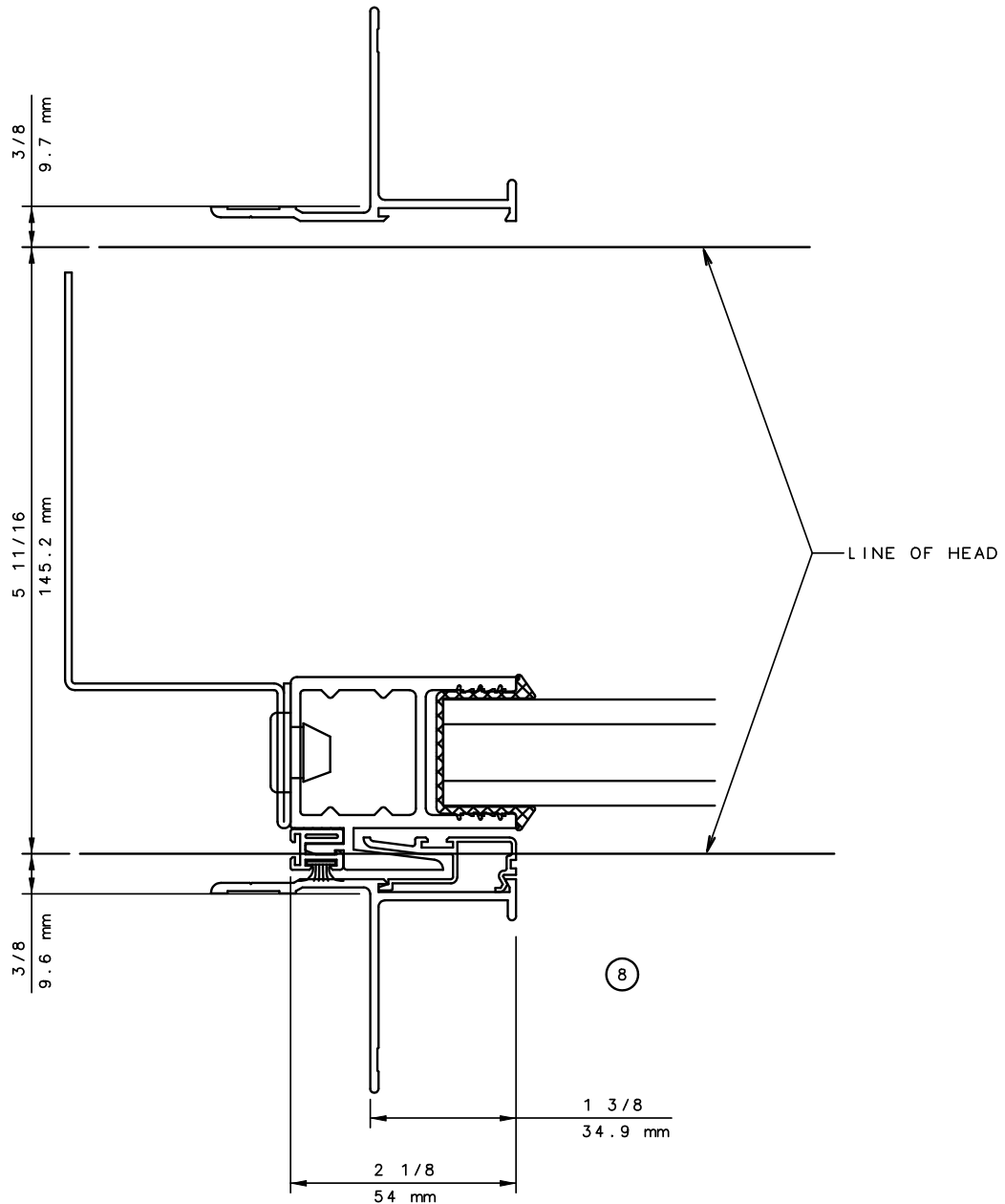


IWC - SOUTHERN CA | IWC - NORTHERN CA  
KELTIC 7800 | [WWW.INTLWINDOW.COM](http://WWW.INTLWINDOW.COM)

Rev. 0512 Form: 78P3X\_lock\_jamb.pdf  
IWC Architectural Design Detail

# KELTIC 7800

## Pocket Door System



**General Notes:**

Not to Scale

Due to continual product development, detail and technical data are subject to change without notice

For latest product specifications please go to our website: [www.intlwindow.com](http://www.intlwindow.com) or contact your IWC Representative

This is an architectural view of cross sections only and installation of shims, fasteners and sealant shall be the responsibility of the installer



IWC - SOUTHERN CA | IWC - NORTHERN CA  
 KELTIC 7800 | [WWW.INTLWINDOW.COM](http://WWW.INTLWINDOW.COM)

Rev. 0512 Form: 78P3X\_pkt\_jamb.pdf  
 IWC Architectural Design Detail