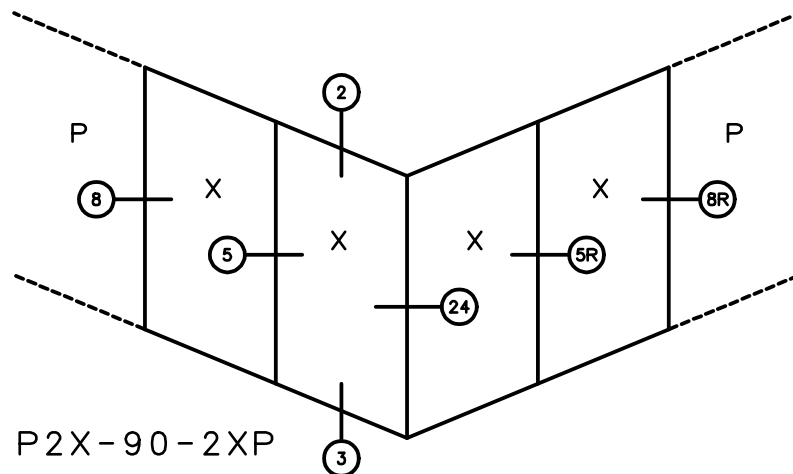


KELTIC 7800

Pocket Door System

90° DOUBLE POCKET DOORS (STD FEMALE LEFT SIDE)



General Notes:

Not to Scale

Due to continual product development, detail and technical data are subject to change without notice

For latest product specifications please go to our website: www.intlwindow.com or contact your IWC Representative

This is an architectural view of cross sections only and installation of shims, fasteners and sealant shall be the responsibility of the installer

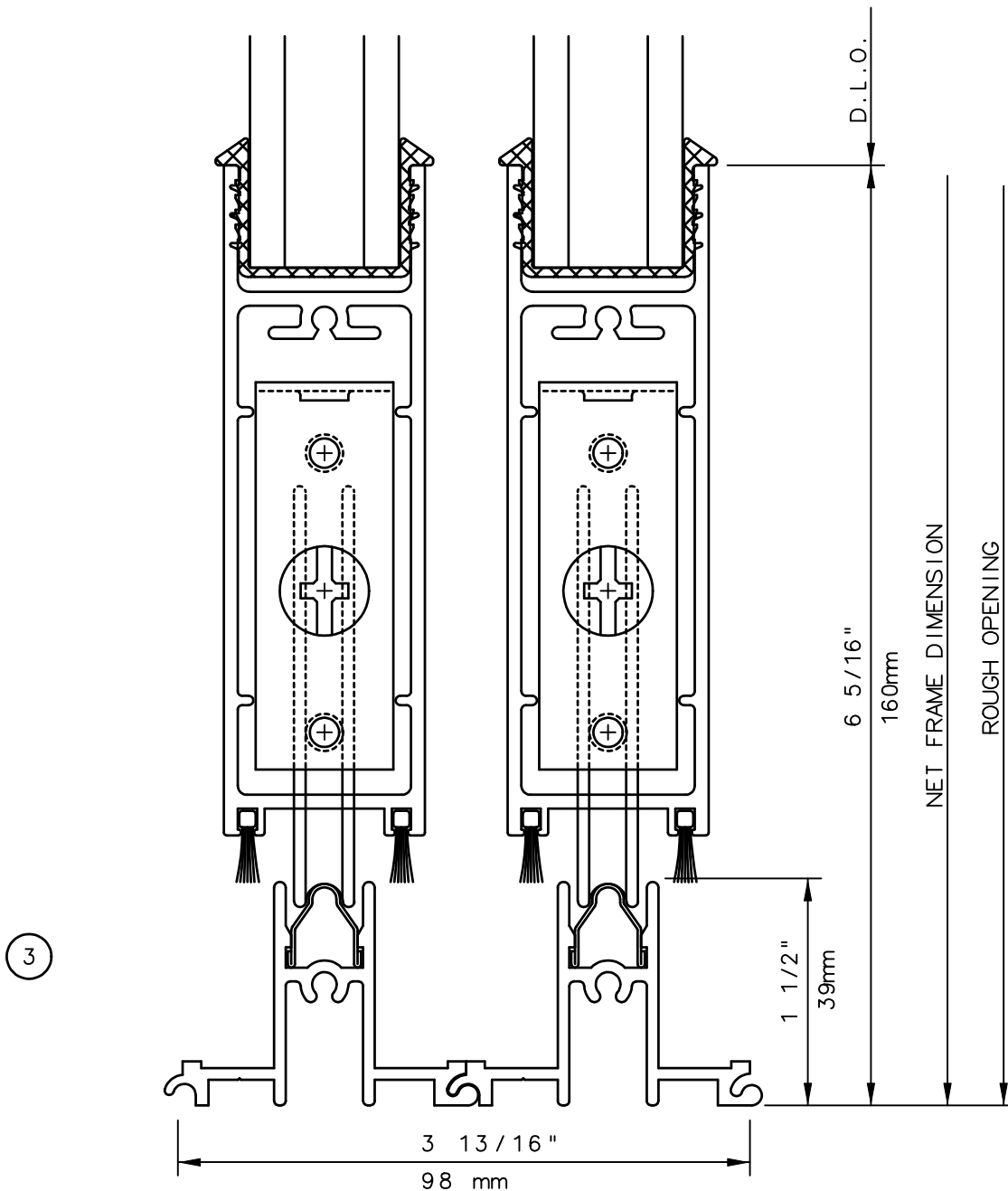


IWC - SOUTHERN CA | IWC - NORTHERN CA
KELTIC 7800 | WWW.INTLWINDOW.COM

Rev. 0612 Form: Pocket elev P2X-90-2.pdf
IWC Architectural Design Detail

KELTIC 7800

Pocket Door System



General Notes:

Not to Scale

Due to continual product development, detail and technical data are subject to change without notice

For latest product specifications please go to our website: www.intlwindow.com or contact your IWC Representative

This is an architectural view of cross sections only and installation of shims, fasteners and sealant shall be the responsibility of the installer

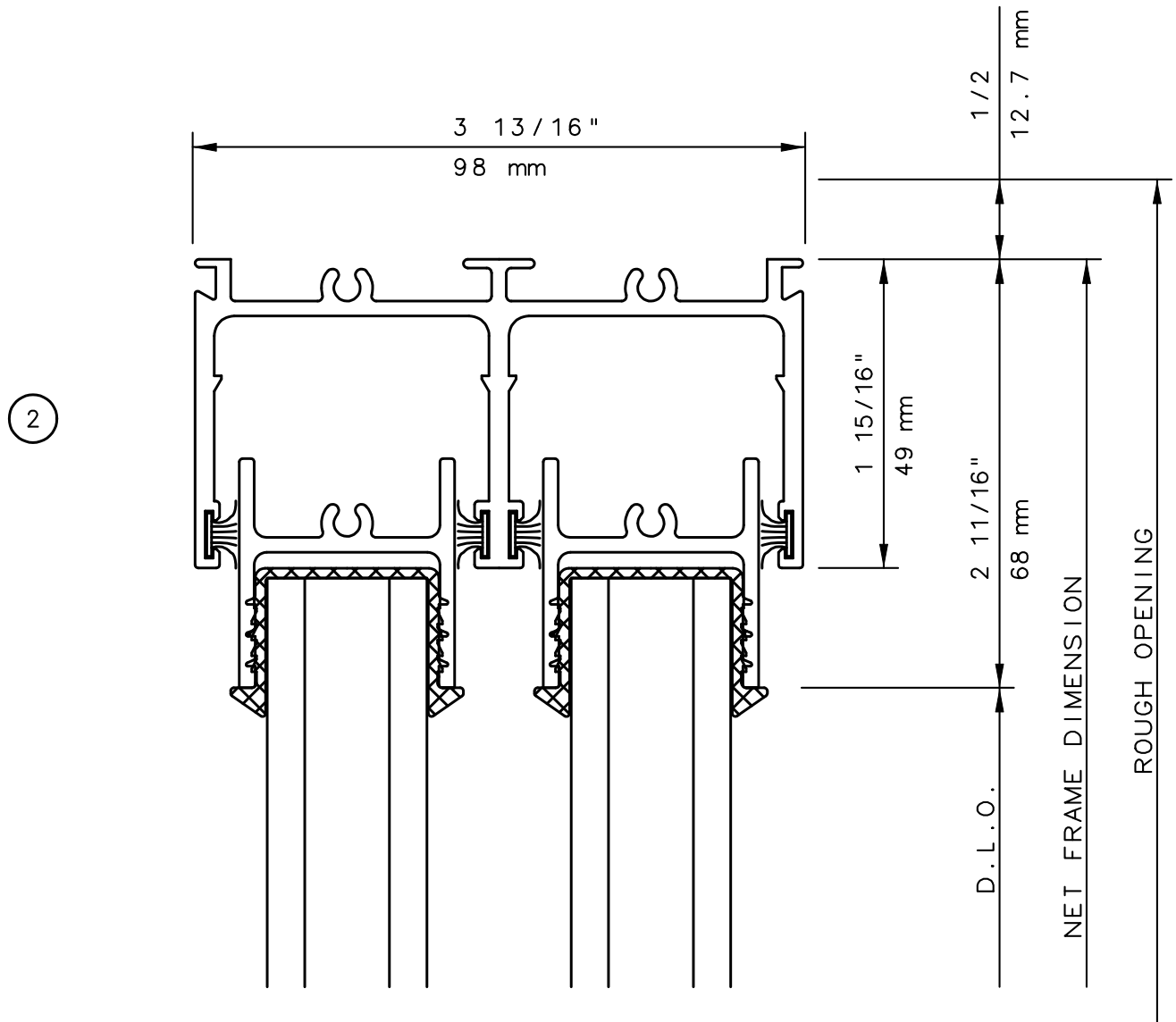


IWC - SOUTHERN CA | IWC - NORTHERN CA
 KELTIC 7800 | WWW.INTLWINDOW.COM

Rev. 0512 Form: 78P2X_1_1-2_sl_sl.pdf
 IWC Architectural Design Detail

KELTIC 7800

Pocket Door System



General Notes:

Not to Scale

Due to continual product development, detail and technical data are subject to change without notice

For latest product specifications please go to our website: www.intlwindow.com or contact your IWC Representative

This is an architectural view of cross sections only and installation of shims, fasteners and sealant shall be the responsibility of the installer

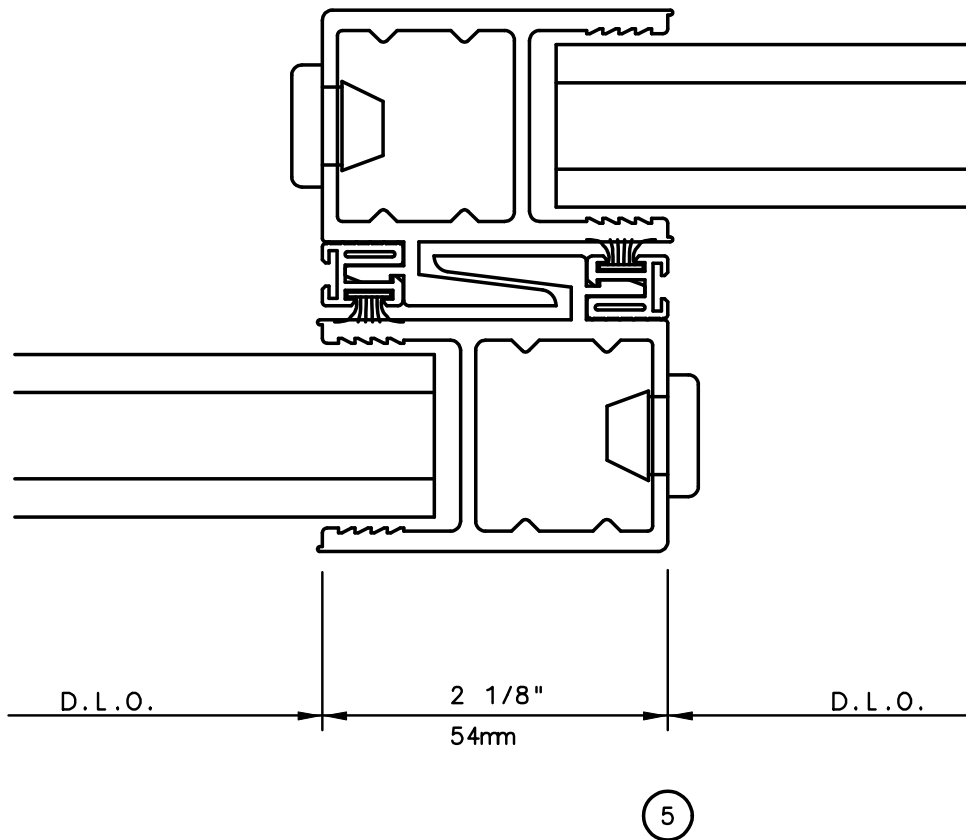


IWC - SOUTHERN CA | IWC - NORTHERN CA
KELTIC 7800 | WWW.INTLWINDOW.COM

Rev. 0512 Form: 78P2X_head.pdf
IWC Architectural Design Detail

KELTIC 7800

Pocket Door System



General Notes:

Not to Scale

Due to continual product development, detail and technical data are subject to change without notice

For latest product specifications please go to our website: www.intlwindow.com or contact your IWC Representative

This is an architectural view of cross sections only and installation of shims, fasteners and sealant shall be the responsibility of the installer

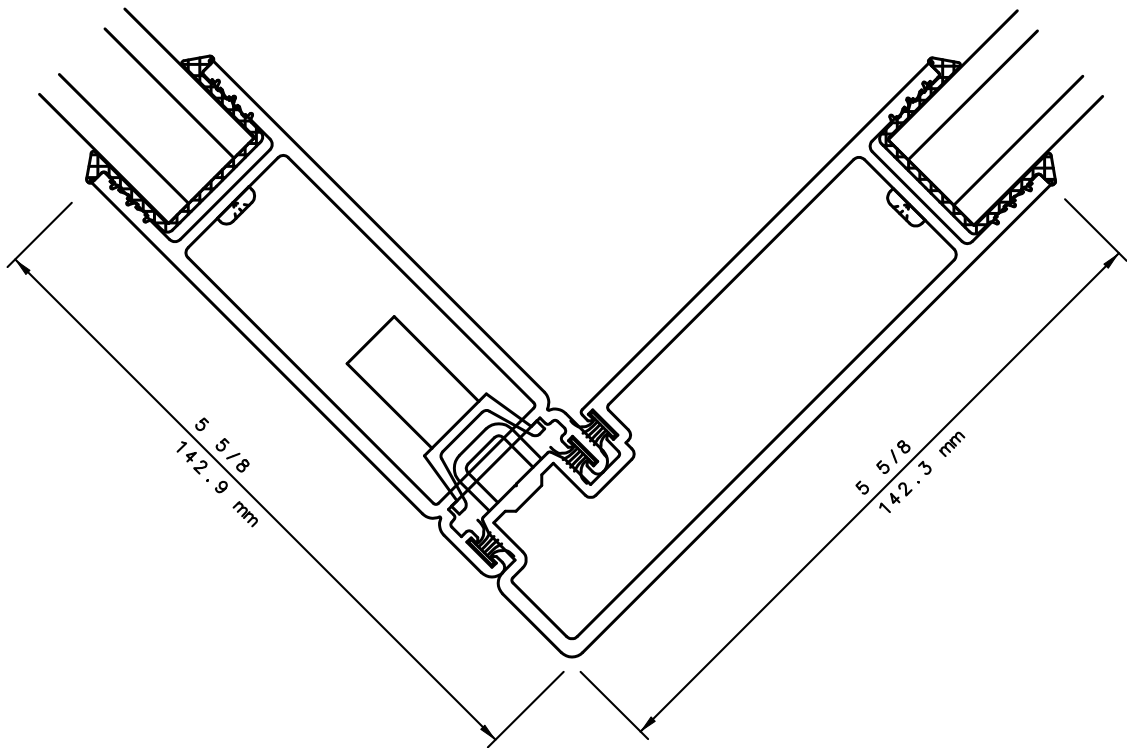


IWC - SOUTHERN CA | IWC - NORTHERN CA
KELTIC 7800 | WWW.INTLWINDOW.COM

Rev. 0612 Form: 7804X_intrlk_5.pdf
IWC Architectural Design Detail

KELTIC 7800

Pocket Door System



24

General Notes:

Not to Scale

Due to continual product development, detail and technical data are subject to change without notice

For latest product specifications please go to our website: www.intlwindow.com or contact your IWC Representative

This is an architectural view of cross sections only and installation of shims, fasteners and sealant shall be the responsibility of the installer

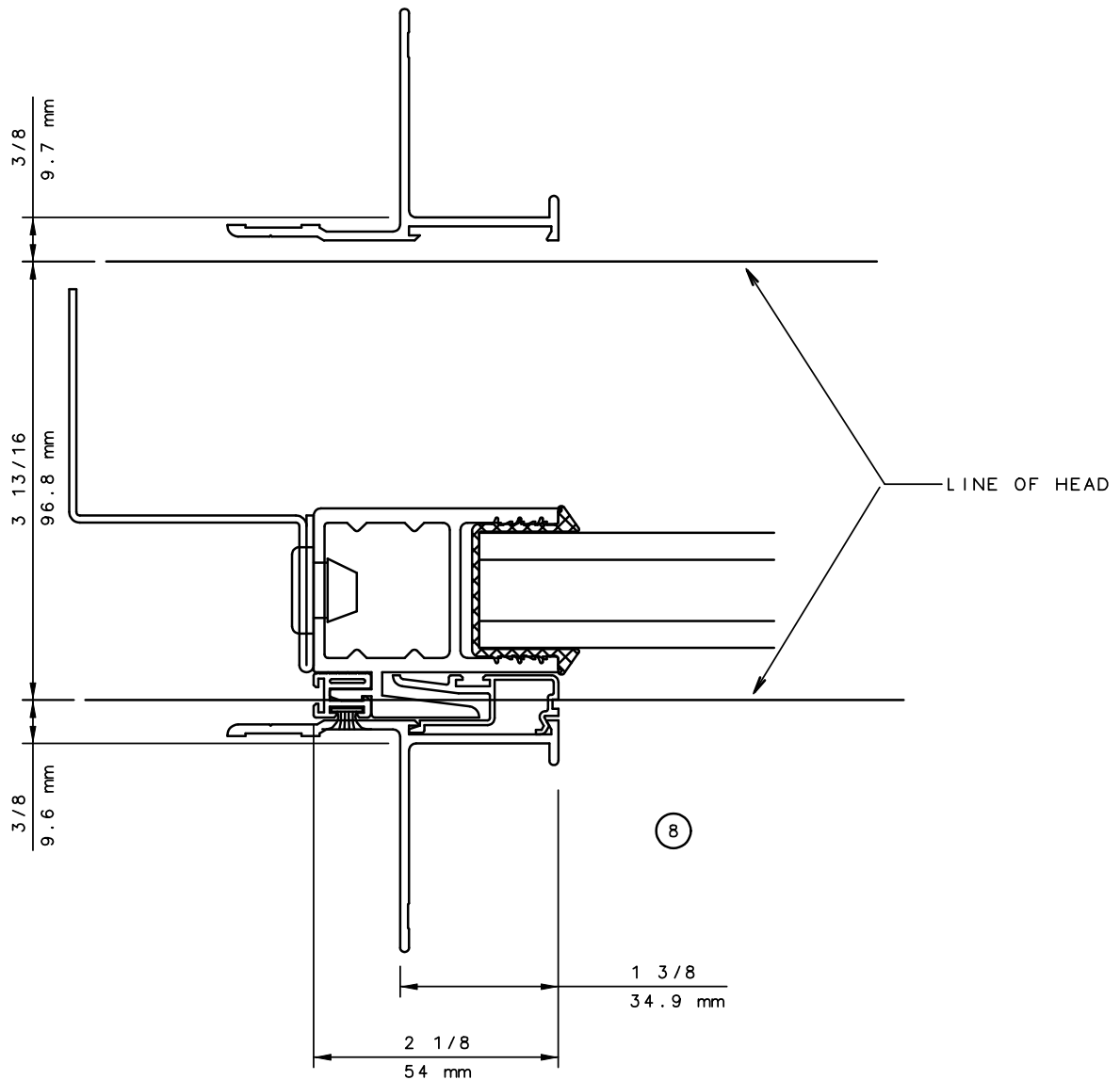


IWC - SOUTHERN CA | IWC - NORTHERN CA
KELTIC 7800 | WWW.INTLWINDOW.COM

Rev. 0612 Form: 78P2X902XP_mtg_stl.pdf
IWC Architectural Design Detail

KELTIC 7800

Pocket Door System



General Notes:

Not to Scale

Due to continual product development, detail and technical data are subject to change without notice

For latest product specifications please go to our website: www.intlwindow.com or contact your IWC Representative

This is an architectural view of cross sections only and installation of shims, fasteners and sealant shall be the responsibility of the installer



IWC - SOUTHERN CA | IWC - NORTHERN CA
 KELTIC 7800 | WWW.INTLWINDOW.COM

Rev. 0512 Form: 78P2X_pkt_jamb.pdf
 IWC Architectural Design Detail